

E3840/E3840F FRYERS

INSTALLATION, SERVICING and USER INSTRUCTIONS



IMPORTANT

The installer must ensure that the installation of the appliance is in conformity with these instructions and National Regulations in force at the time of installation.

Particular attention **MUST** be paid to -

BS7671 IEE Wiring Regulations

Electricity at Work Regulations

Health And Safety At Work Act

Fire Precautions Act

This appliance has been CE-marked on the basis of compliance with the Low Voltage and EMC directives for the voltages stated on the data plate.

WARNING -THIS APPLIANCE MUST BE EARTHED

On completion of the installation these instructions should be left with the Engineer-in-Charge for reference during servicing. Further to this, The Users Instructions should be handed over to the User, having had a demonstration of the operation and cleaning of the appliance.

IT IS MOST IMPORTANT THAT THESE INSTRUCTIONS BE CONSULTED BEFORE INSTALLING AND COMMISSIONING THIS APPLIANCE. FAILURE TO COMPLY WITH THE SPECIFIED PROCEDURES MAY RESULT IN DAMAGE OR THE NEED FOR A SERVICE CALL.

PREVENTATIVE MAINTENANCE CONTRACT

In order to obtain maximum performance from this unit we would recommend that a Maintenance Contract be arranged with **SERVICELINE**. Visits may then be made at agreed intervals to carry out adjustments and repairs. A quotation will be given upon request to the **SERVICELINE** contact numbers below.



WEEE Directive Registration No. WEE/DC0059TT/PRO

At end of unit life, dispose of appliance and any replacement parts in a safe manner, via a licenced waste handler. Units are designed to be dismantled easily and recycling of all material is encouraged whenever practicable.

Falcon Foodservice Equipment

HEAD OFFICE AND WORKS

Wallace View, Hillfoots Road, Stirling. FK9 5PY. Scotland.

SERVICELINE CONTACT

Phone: 01438 363 000

Fax: 01438 369 900

T100805 Ref. 7

IMPORTANT INFORMATION

Warranty Policy Shortlist

Warranty does not cover :-

- Correcting faults caused by incorrect installation of a product.
- Where an engineer cannot gain access to a site or a product.
- Repeat commission visits.
- Replacement of any parts where damage has been caused by misuse.
- Engineer waiting time will be chargeable.
- Routine maintenance and cleaning.
- Gas conversions i.e. Natural to Propane gas.
- Descaling of water products and cleaning of water sensors where softeners/ conditioners are not fitted, or are fitted and not maintained.
- Blocked drains
- Independent steam generation systems.
- Gas, water and electrical supply external to unit.
- Light bulbs
- Re-installing vacuum in kettle jackets.
- Replacement of grill burner ceramics when damage has been clearly caused by misuse.
- Where an engineer finds no fault with a product that has been reported faulty.
- Re-setting or adjustment of thermostats when unit is operating to specification.
- Cleaning and unblocking of fryer filter systems due to customer misuse.
- Lubrication and adjustment of door catches.
- Cleaning and Maintenance
 - Cleaning of burner jets
 - Poor combustion caused by lack of cleaning
 - Lubrication of moving parts
 - Lubrication of gas cocks
 - Cleaning/adjustment of pilots
 - Correction of gas pressure to appliance.
 - Renewing of electric cable ends.
 - Replacement of fuses
 - Corrosion caused by use of chemical cleaners.

Electrical Safety and Advice Regarding Supplementary Electrical Protection

Commercial kitchens and foodservice areas are environments where electrical appliances may be located close to liquids, or operate in and around damp conditions, or where restricted movement for installation and service is evident.

The installation and periodic inspection of the appliance should only be undertaken by a qualified, skilled and competent electrician; and connected to the correct power supply suitable for load as stipulated by the appliance data label.

The electrical installation and connections should meet the necessary requirements to local electrical wiring regulations and electrical safety guidelines.

We recommend:-

- Supplementary electrical protection with use of a residual current device (RCD).
- Fixed wiring appliances incorporate a locally situated switch disconnecter to connect to, which is easily accessible for switching off and safe isolation purposes. The switch disconnecter must meet the specification requirements of IEC 60947.

SECTION 1 - INSTALLATION

UNLESS OTHERWISE STATED, PARTS WHICH HAVE BEEN PROTECTED BY THE MANUFACTURER ARE NOT TO BE ADJUSTED BY THE INSTALLER.

Please ensure that any plastic coatings are removed prior to use. Before operation, the pan requires to be thoroughly cleaned and dried.

Discolouration of heated parts is caused by factory testing to ensure a satisfactory unit. It does not affect quality or performance.

1.1 MODEL NUMBERS, NETT WEIGHTS and DIMENSIONS

Model	Width (mm)	Depth (mm)	Height (mm)	Weight (kg)
E3840 Fryer	400	800	880	66
E3840F Fryer	400	800	880	77

1.2 SITING

Each unit must be installed on a firm level floor in a well-lit draught free position. The fryer should be installed in a freestanding position to prevent any possibility of sideways tipping under force. The means of restraint may be the manner of installation, such as connection to a battery of appliances or installing the fryer in an alcove, or by separate means, such as adequate ties.

1.2.1 Anti-tipping Bracket

An anti-tipping mechanism is also available as an accessory. If fitted, the brackets must be installed to locate the fryer in the correct position relative to any walls as detailed below. Fixing holes are provided in fryer base to accommodate the bracket. Details of fitting can be found in Figure 1 below. The retaining chain has a quick release eyelet. Attach securely to fixing point and secure bracket to floor after alignment with bracket attached to the fryer. Adjust bracket to slide below floor bracket.

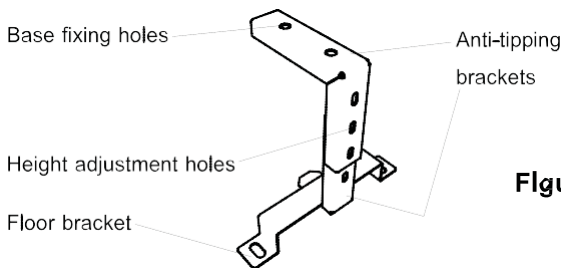


Figure 1

Figure 1 - Anti-tipping Bracket

1.2.2 Clearances

The unit requires a clearance of at least 100mm to the rear between unit and any combustible wall.

A minimum vertical clearance of 750mm should be allowed between top edge of flue outlet and any overlying combustible surface.

Important

If fryer is to be installed with other appliances then the instructions for each unit should be consulted to determine the necessary clearance to any combustible wall or overlying surface.

Some appliances require greater clearance distances than others. The largest clearance will therefore determine overall distance for a complete suite of adjoining appliances.

1.3 VENTILATION

The appliance ventilation requirements should be in line with national and local regulations.

For multiple installations, requirements should be added together. Installations should be made in accordance with local and/or national regulations applying at the time. A competent engineer must be used for any installation work.

1.4 ELECTRICAL SUPPLY

A cable conforming to code designation 0245 IEC 57 (eg. H07RN-F 5G4) must be used for connection to a 400V 3N~ supply incorporating a suitable isolating switch.

Phase Loading

L1: 29A, L2: 29A, L3: 29A

SECTION 2 - ASSEMBLY and COMMISSIONING

The electrical cable must be connected in accordance with the various regulations listed on the cover of this manual.

2.1 ASSEMBLY

- a) Unpack appliance
- b) Unpack fryer baskets and accessories.
- c) Place element guard and baskets in pan.
- d) Level appliance and fit all service protection kits.
(*Anti-tilt kit, if ordered as accessory.*)

2.2 CONNECTION TO AN ELECTRICAL SUPPLY

The supply cable must be connected to a suitable isolator switch as follows:

Phase 1: Brown, Phase 2: Black, Phase 3: Grey

Neutral: Blue, Earth: Green/Yellow

2.3 STARTING UP

2.3.1 E3840 / E3840F Fryer Control Panel

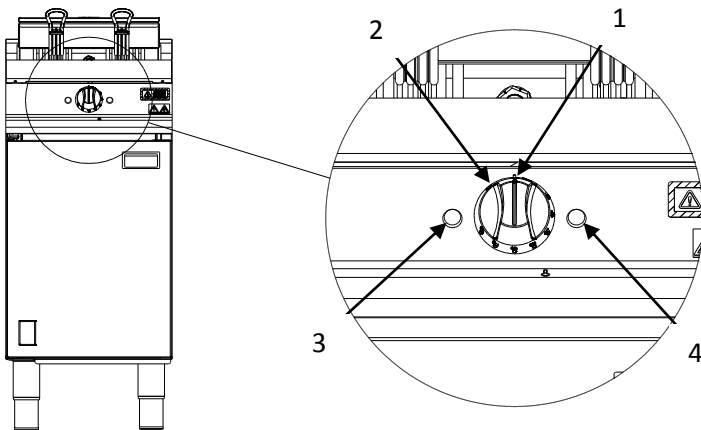


Figure 2 – E3840 / E3840F Control Panel

1. ON/OFF and Temperature Control Knob

Temperature Selection (140 - 190°C). (*Unit is off when in position indicated.*)

2. Fat Melt Position

Feature for slow pulsed heating of solid fats.

3. Power on indicator.

4. Heat Demand Indicator

Illuminates when thermostat demands heat, i.e. oil temperature is more than 5°C below temperature setting. Extinguishes when desired temperature is reached.

2.3.2 E3840 / E3840F - Additional Controls

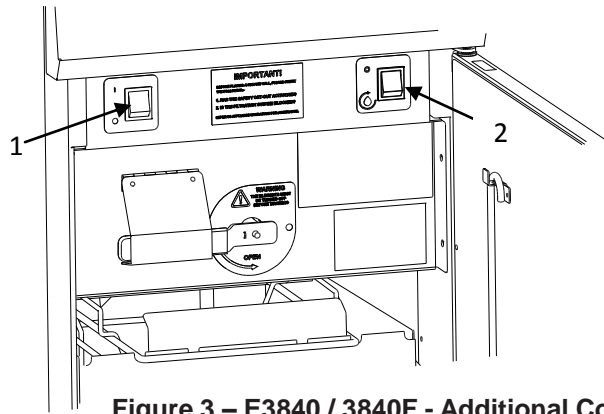


Figure 3 – E3840 / 3840F - Additional Controls

The following additional controls are located behind cabinet door.

1. Fryer ON/OFF Switch

Cuts power to appliance.

2. Filtration Pump Switch (*F model only*)

Energizes filtration pump.

3. Temperature Safety Limiter Reset Button

Located on rear of element box, below black dust cap, refer to Figure 4.

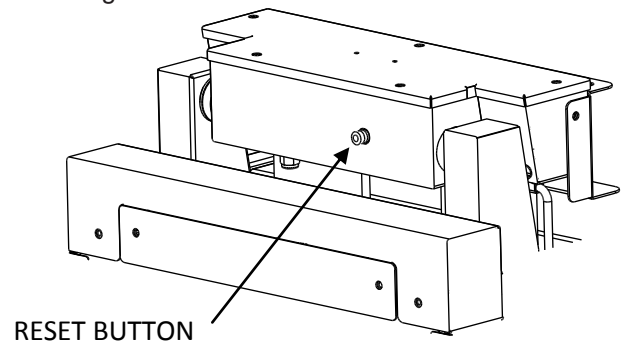


Figure 4

2.3.2 E3840 and E3840F Controller Diagnostic Indicators (See Wiring Diagrams)

On PCB controller

CR2, Green LED 'ON' indicates heat demand.

CR2, Green LED 'OFF' indicates no heat demand.

CR9, Red LED flashes if temperature probe is either short or open circuited.

CR9, Red LED is permanently 'ON' to indicate system is OK. Set point is +/-7°C of mid-set point.

2.4 PRE-COMMISSIONING CHECK

2.4.1 Checking Controller Operation

To check operation of controls, refer to Using The Controller - Section 6.2.1.

2.4.2 Checking Oil Filtration Pump

To check operation of oil filtration pump, refer to Section 7.

2.5 TEMPERATURE LIMIT THERMOSTAT

The unit is equipped with an additional temperature limit thermostat, independent of the main controller.

In the case of operating thermostat failure, allowing oil temperature to rise above predetermined legislation safe zone (230°C), limit device will activate and cut power to controller and elements.

To re-set temperature limit thermostat (*Refer to Figure 4*):

- a) Turn fryer ON/OFF switch to OFF position.
- b) Allow oil to cool below 180°C
- c) To reset limit thermostat, remove black dust cap located at element box rear. Push reset button using a blunt instrument. (i.e. a pen) and replace cap.
- d) Turn fryer ON/OFF switch to ON position.
- e) Reselect temperature.
- f) If limit thermostat reactivates carry out fault finding on temperature control circuitry.

2.6 INSTRUCTION TO INSTALLER

After installing and commissioning appliance, please hand instructions to user or purchaser and ensure that the person(s) responsible understands the instructions to correctly operate and clean unit in a safe manner.

Emphasis should be given to safe operation and use of drain valve and oil bucket. Oil bucket should not be overfilled to allow safe movement. Oil should be allowed to cool before any manual handling.

Note: The oil container may be heavy. Drain small amounts at a time if necessary, before lifting container. Manual handling regulations should be observed.

SECTION 3 - SERVICING AND CONVERSION

BEFORE ATTEMPTING ANY SERVICING, TURN OFF THE ELECTRICAL SUPPLY. TAKE STEPS TO ENSURE THAT THESE CANNOT BE INADVERTENTLY TURNED ON.

AFTER ANY MAINTENANCE TASK, CHECK THE APPLIANCE TO ENSURE THAT IT PERFORMS SAFELY AND CORRECTLY AS DESCRIBED IN SECTION 2.5.

3.1 INTEGRAL COMPONENTS

The following parts must be checked and serviced regularly:

1. Oil ingress to electrical components.
2. Visual inspection of components and fryer pan.
3. Temperature limit thermostat calibration.

3.2 ACCESS PROCEDURES

Before removal of any fryer components:

- a) Ensure appliance electrical supply has been shut off and cannot be accidentally turned back on.
- b) Allow oil to cool before any operation that requires pan to be drained.
- c) Only use parts specified by the manufacturer.
- d) All components replaced MUST be fully checked after fitting to ensure safe operation.
- e) A full pre-commissioning check as detailed in Section 2.4 should be carried out.

3.3 ELEMENTS

- a) Remove five fixings from element box top and release element cables.
- b) Tilt element box and rest in upright position.
- c) Remove four fixings from element mounting plate.
- d) Remove element and seal.
- e) Replace in reverse order.

3.4 TEMPERATURE CONTROLLER

- a) Remove control panel by undoing fixings at top and bottom of control panel and unplug control panel.
- b) Disconnect electrics loom and remove fixings to enable controller to be removed.
- c) Carefully replace in reverse order.

3.5 MAINS ON and HEAT DEMAND NEONS

- a) Remove control panel by undoing fixings at top and bottom of control panel and unplug control panel.
- b) Remove electrical connections from neon. Undo neon retention nut.
- c) Carefully replace in reverse order.

3.6 DRAIN VALVE

- a) Ensure fry pot is empty. Refer to Section 8.
- b) Remove nut from handle and lift handle off.
- c) Remove front panel fasteners.
- d) Disconnect wiring, noting all connections.
- e) Remove front panel to access drain valve.
- f) Undo drain pipe. Use appropriate size of spanner to remove drain valve.
- g) Replace in reverse order and check for oil leaks.

3.7 FILTRATION PUMP

- a) Remove rear access panel. Disconnect pipe at filtration pump.
- b) Disconnect electrical coupling plug and start capacitor connections.
- c) Remove nuts from pump mounting bolts (*accessed through fryer door at rear of oil bucket compartment*) and lift pump clear.
- d) Disconnect pump from bracket. Replace in reverse order.

Note: Remember to check for oil leaks before replacing any panels.

3.8 TEMPERATURE LIMIT THERMOSTAT

- a) Remove element box cover plate.
- b) Lift elements and secure in raised position.
- c) Undo phial retention nut.
- d) Release phial from retaining clip.
- e) Disconnect phial wire plug and cut off plug.
- f) Pull down phial to remove.
- g) Carefully replace in reverse order. Check for any oil leaks and that thermostat calibration is within specification.

3.9 CONTACTORS & FILTRATION PUMP TIMER

- a) Remove 8 fixings from rear control compartment cover.
- a) Disconnect wiring from faulty component, noting all connections.
- b) Replace and rewire component.
- c) Replace cover.

SECTION 4 - SPARES

When ordering spare parts, always quote the appliance type and serial number. This information will be found on the data plate.

Element

Controller

Safety thermostat

Operating thermostat

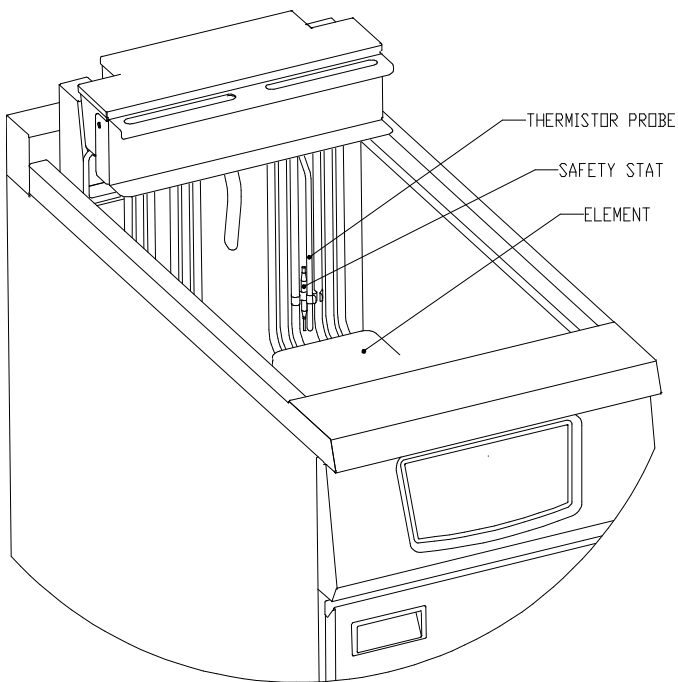
Neon (*red*)

Neon (*amber*)

Contactors

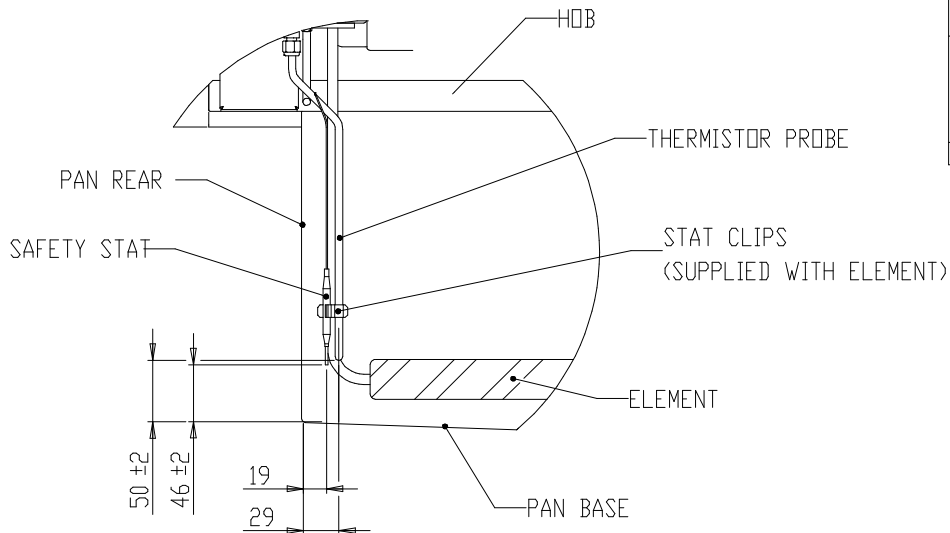
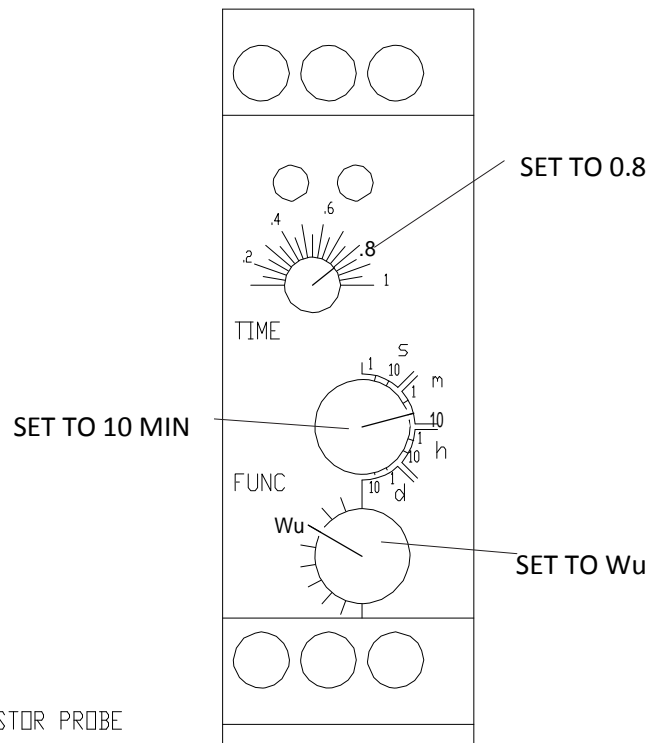
Tilt switch

SECTION 5 - CRITICAL DIMENSIONS



Timer Pump Settings

Set for 230V



THERMISTOR PROBE AND SAFETY STAT BULB TO BE CLIPPED INTO POSITION AS INDICATED.

SECTION 6 - OPERATING INSTRUCTIONS

The fryers are of single pan type and the following units are covered by this manual.

E3840 - Manual control model.

E3840F - Manual control model with built-in filtration.

USE OF OILS (COOKING MEDIUM)

As these are highly flammable when in their liquid state, caution should always be taken when using cooking medium.

Recommendation

PPE`s (*Personal Protective Equipment*) should be used when cleaning or handling medium within this fryer.

Medium should not be overheated as this will increase the risk of fire.

Note: Fryer is fitted with a thermal safety device. This will stop heating of medium if the medium becomes overheated.

This appliance will always fail safe.

Note: NEVER leave a working unit unattended.

Medium must always be maintained within fry pot.

Cold Medium - when filling with cold medium (*see Figure 6*), DO NOT FILL MEDIUM PAST -MIN- LEVEL MARK (*Maximum Cold Fill Mark*).

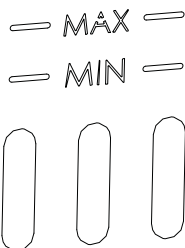


Figure 6

-MIN- Level Mark: Medium should NEVER be allowed to drop below this mark. Should medium drop below this mark, top up immediately or switch fryer OFF.

Hot Medium and Topping Up Medium

DO NOT FILL MEDIUM PAST -MAX- LEVEL MARK (*Maximum Hot Fill Mark*). (*See Figure 6*).

Medium and Foodstuffs

As foodstuffs increase volume within fry pot - follow these rules:

DO NOT ADD WATER TO FRYER MEDIUM AT ANY TIME!

WARNING

No attempt must be made to operate the appliance during a power supply failure.

Please ensure that any plastic coated items are removed prior to use. Before operation, pan requires to be thoroughly cleaned and dried.

Discolouration of heated parts is caused by factory testing to ensure unit is satisfactory. It will not affect quality or performance.

An electronic thermostat with temperature probe is fitted. The operating thermostat automatically controls oil temperature. The temperature limit thermostat ensures that the oil will not reach a dangerous temperature level.

If limit thermostat should activate during operation, an investigation to determine the reason must be carried out by a qualified technician.

6.1 APPLIANCE CONTROLS

Refer to Sections 2.3.1 and 2.3.2 for controls layout and description.

6.2 OPERATION

Safety Precautions

The installer must fit an isolator switch on the electrical supply to the fryer.

The user MUST be familiar with the location and operation of the isolator switch for shutting off electrical supply in event of an emergency.

6.2.1 Frypot Filling Instructions

Remove lid (*if fitted*) and baskets and set these aside. Ensure fryer pan is clean and completely dry. Ensure also that drain valve is closed. Pour clean, cold oil to -MIN- pan level mark on element guard/basket support grid.

Both Models

- Press ON/OFF switch to on position (I).
- Turn knob to select temperature.
- Heat demand indicator will illuminate.

6.2.2 Fryer maximum basket loading (*Both models*)

Pre-blanching chilled fries— **2 x 1.5kg baskets.**

Frozen fries – **2 x 1.2kg baskets.**

6.2.3 Using the Controller

When unit has been switched on as detailed in Section 6.2.1 above, fryer may be operated as follows.

Oil temperature will be governed by controller to desired set temperature, selected by user on control knob.

SECTION 7 - CHANGING/FILTERING THE OIL

Warning

After filtering, wait 30 seconds before removing bucket.

When draining, ensure the oil has time to strain through strainer basket. Heavily unfiltered oil may overflow.

Note

This could cause pump to block over a period of time and is considered as misuse of equipment.

Warning

If oil is not emptied on a regular basis or if it is left in receptacle, oil may solidify and overflow or spill upon kitchen floor to create a hazard.

7.1 STARTING THE FILTRATION PROCESS

1. Turn unit off at ON/OFF switch. Allow oil to cool below 170°C (or if cold, heat to minimum temperature of 60°C). Open cabinet door, pull filter bucket forward.
2. Ensure bucket is clean and emptied of all oil and debris. Refer to Section 8 for details of how to clean filter components.
3. Ensure strainer and microfilter are clean and dry.
4. With strainer and microfilter in position, slide bucket back on to runner cradle and back into fryer to engage with pump.

Please Note - Warning

Do not handle filter components or adjacent surfaces when pump is operating.

Components will remain hot for a period after filtering. Allow to cool. Use of PPE's is recommended.

7.1.1 E3840F Models

Note: With cabinet door open, switch is located at RH side of drain valve (Refer to Figure 3).

1. Switch appliance on/off switch to OFF position.
2. Allow oil to cool for approximately 15 - 20 minutes.
3. Ensure bucket/filters are in place and that these are clean and dry.
4. Open drain valve.
5. Allow oil to drain from pan.
6. Remove element guard from pan.
7. Raise elements with the lifting tool.

Please note: Elements and guard may still be hot!

8. Remove debris from pan base.
9. Switch appliance on/off switch to ON position.
10. Activate oil pump by means of filter pump switch to return oil to pan.
11. Leave to cycle for a few minutes before closing drain valve.
12. Allow pan to fill with oil.
13. Once oil has been returned to pan, switch oil pump off by means of filter pump switch.
14. Carefully lower elements and replace element guard.
15. Top up oil to correct level.

SECTION 8 - CLEANING and MAINTENANCE

RECOMMENDATION

Personal protective equipment (*PPE's*) should be used when cleaning or handling medium within this appliance.

WARNING - NEVER PUMP WATER THROUGH THE FILTRATION PUMP AT ANY TIME!

Warning

The fryer is supplied with castors at rear and should be connected to supply piping by means of a connector for moveable appliances. An anti-tipping restraint can be attached to unit and, if so, this must be disconnected before fryer is moved. Ensure restraint is re-connected when unit is returned to original position.

Moving the fryer with hot or cold oil in fry pot can be dangerous to the operator. Scalding could occur. Spilled oil or fat on the kitchen floor could cause slipping accidents and any such deposit should be cleaned up straight away.

To prevent any such hazard, DO NOT move fryer until all liquid has been drained from fry pot.

The following procedure should be undertaken, AT LEAST DAILY.

IMPORTANT: Disconnect electrical supply before any cleaning is undertaken.

Warning

Oil must be allowed to cool to a safe temperature before draining. Do not overfill draining receptacle.

THE APPLIANCE MUST NOT BE CLEANED WITH A JET OF WATER OR BE STEAM CLEANED. DO NOT USE ACID OR HALOGEN-BASED (*e.g. chlorine*) DESCALING LIQUIDS, FLAMMABLE LIQUIDS, CLEANING AIDS OR CLEANING POWDERS.

Stainless Steel Surfaces

It should be noted that certain scouring pads including nylon types, could easily mark stainless steel. Care should be exercised during cleaning process.

When rubbing stainless steel with a cloth, always rub along in grain direction.

8.1 CLEANING THE APPLIANCE

1. Carry out actions detailed in Section 8.
2. Switch unit OFF and drain fry pot.
3. Remove baskets and element guard. Soak these components in hot soapy water.
4. Lift elements using tool provided (*located behind door*). Rest elements on rear support bar.
5. With drain valve open, remove any trace of debris from fry pot using a clean, damp cloth.

NOTE: Care should be taken not to damage sensors that are secured to elements.

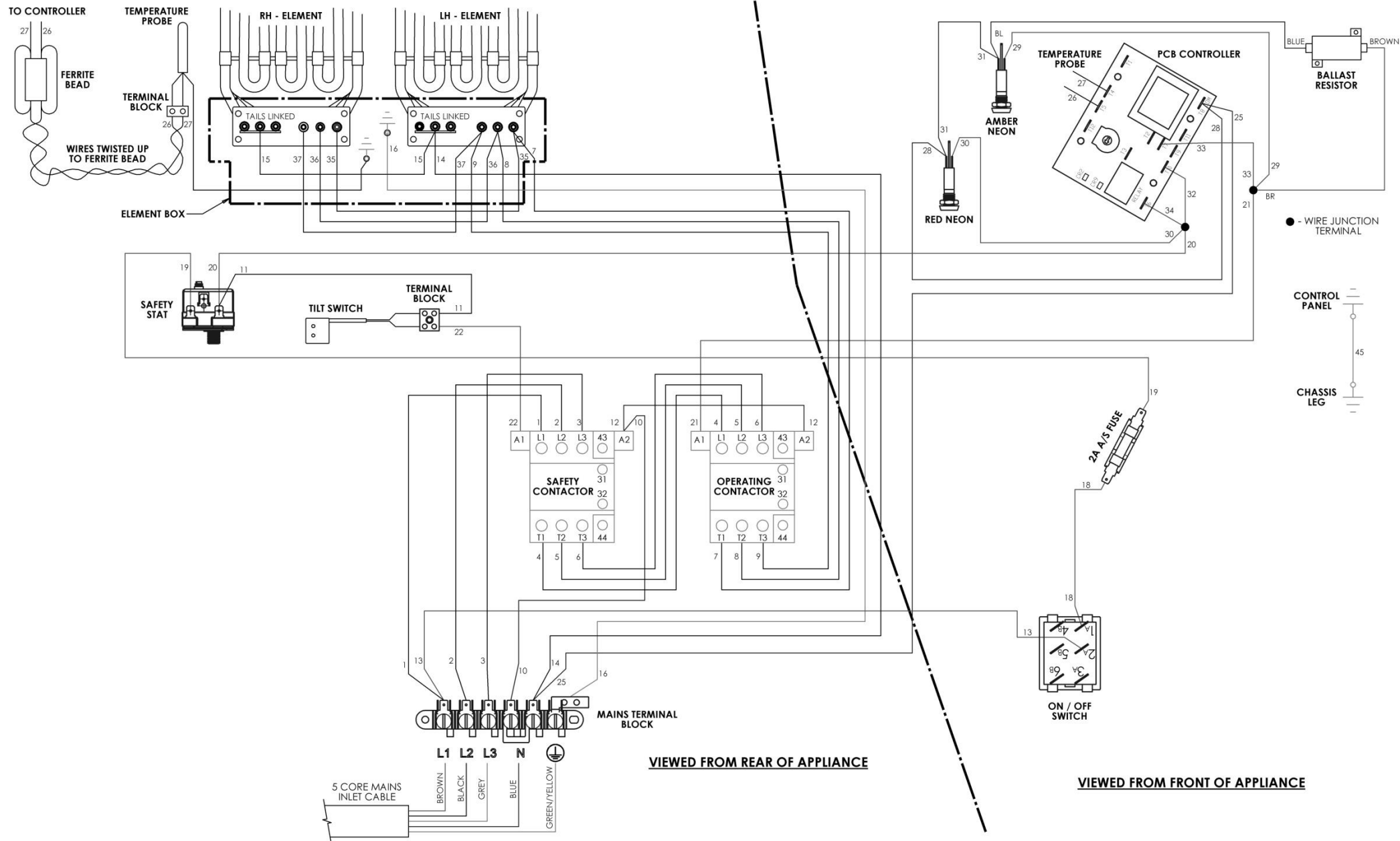
6. Remove strainer and microfilter, soak these in hot soapy water.
7. Wash, rinse and dry removed items thoroughly. Set these aside.
8. Close drain valve.
9. Fill fry pot 3/4 full with hot water.
10. Clean pan using a soft, clean cloth and hot soapy water, rub away any stubborn staining with a scouring pad and suitable detergent.
11. Open drain valve and let water drain into bucket below.
12. Use clean water to rinse fry pot and dry thoroughly.
13. Close drain valve.
14. Lower elements back into frypot and replace element guard and baskets.
15. Remove oil bucket by pulling forward then upward.
16. Use handles and lift oil bucket to sink.
17. Pour away soiled water.
18. Thoroughly wash, rinse and dry oil bucket and oil suction pipe.
19. Replace strainer and micro filter in oil bucket and return oil bucket to cradle.
20. Fill fry pot with clean oil to -MIN- mark. Refer to Section 7.2.

SECTION 9 - COOKING HINTS

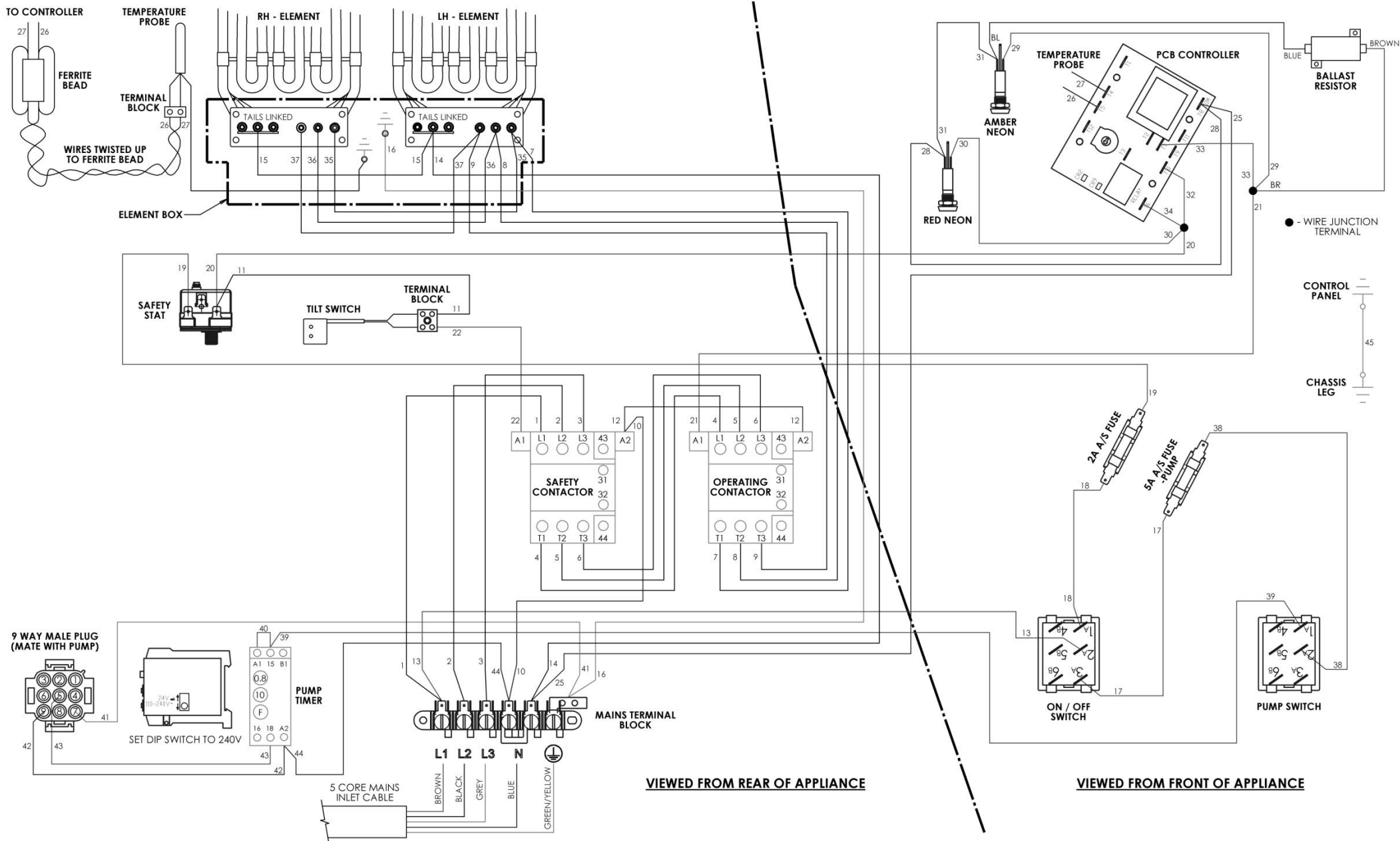
Frying food involves many variables and the following information is a guide only.

1. Ensure frying medium is clean and free of debris.
2. When topping up with oil, ensure oil level does not exceed -MIN- when cold and -MAX- when hot.
3. Never overfill baskets with food product.
4. Filter oil as often as is practically possible. Remember, this can be done whilst oil is below 180°C.
5. It is advised that a skimmer is used continuously between frying batches of food to remove any floating debris. Failure to do this may result in the oil becoming bitter to taste.
6. During quiet spells, it is recommended that thermostat is turned down to a lower setting. This will conserve energy in addition to extending expected oil life.
7. To ensure a good eating experience, fry food as close to serving time as possible.
8. After serving and when fryer has been turned off, replace lid to ensure that no foreign bodies can contaminate frying medium.

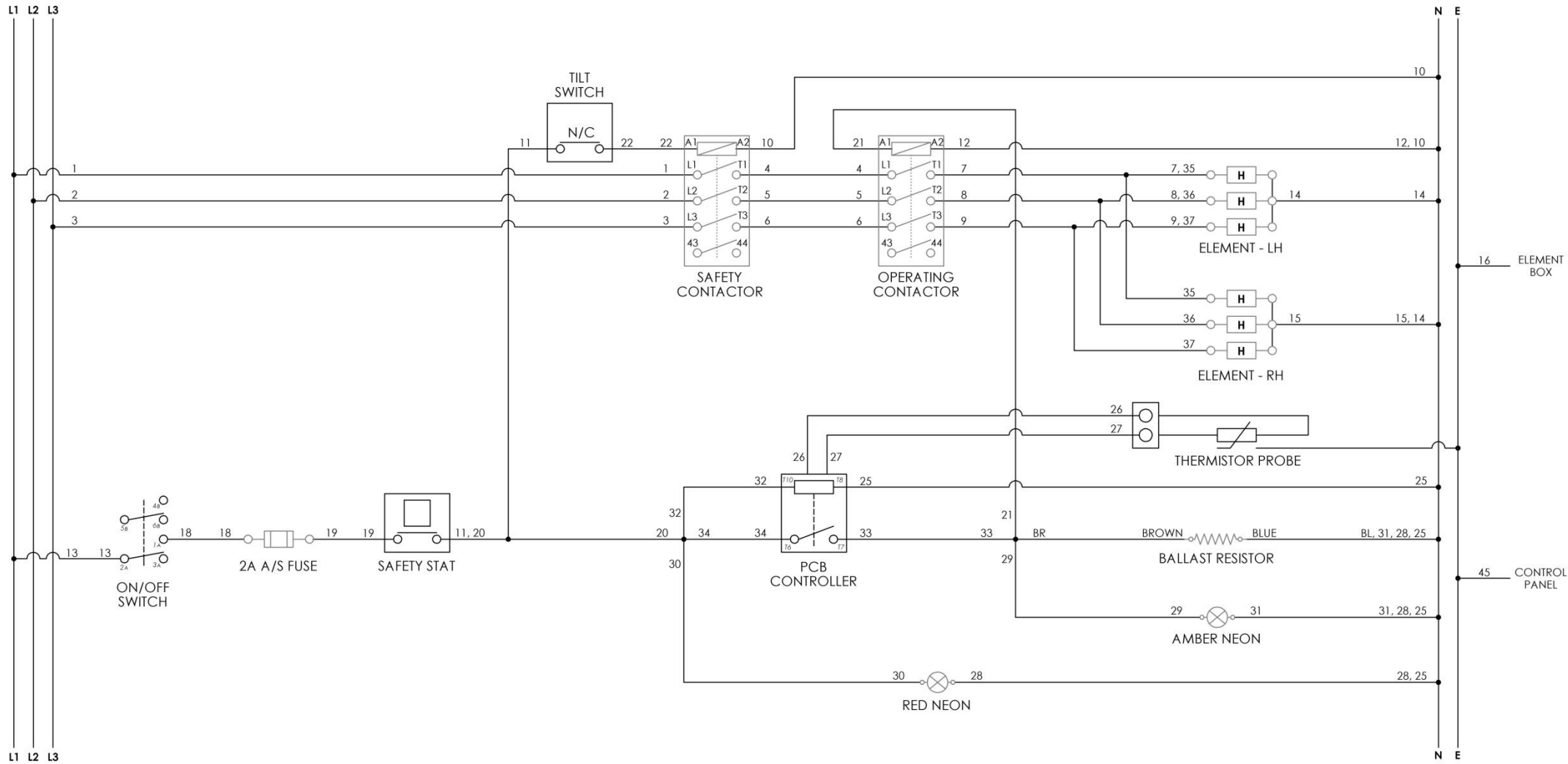
WIRING DIAGRAM for E3840



WIRING DIAGRAM for E3840F



CIRCUIT DIAGRAM for E3840



CIRCUIT DIAGRAM for E3840F

